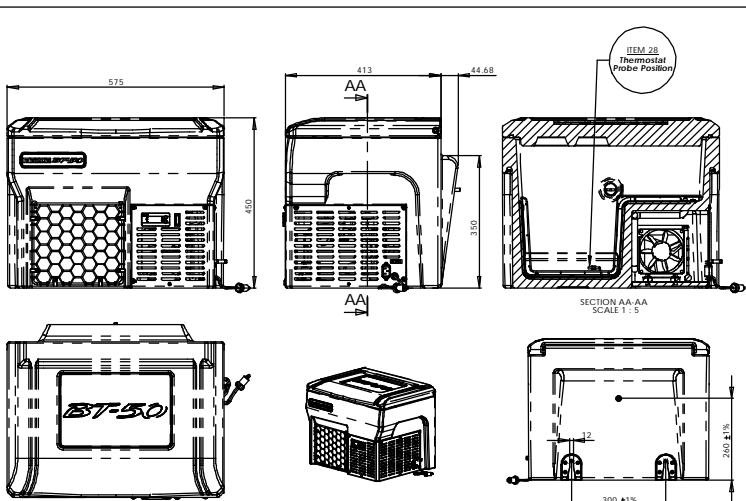
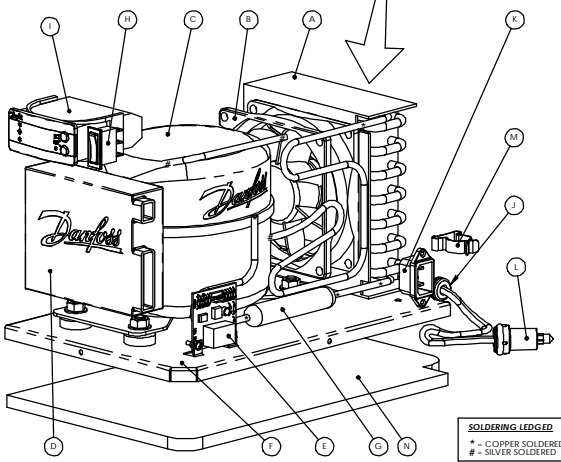
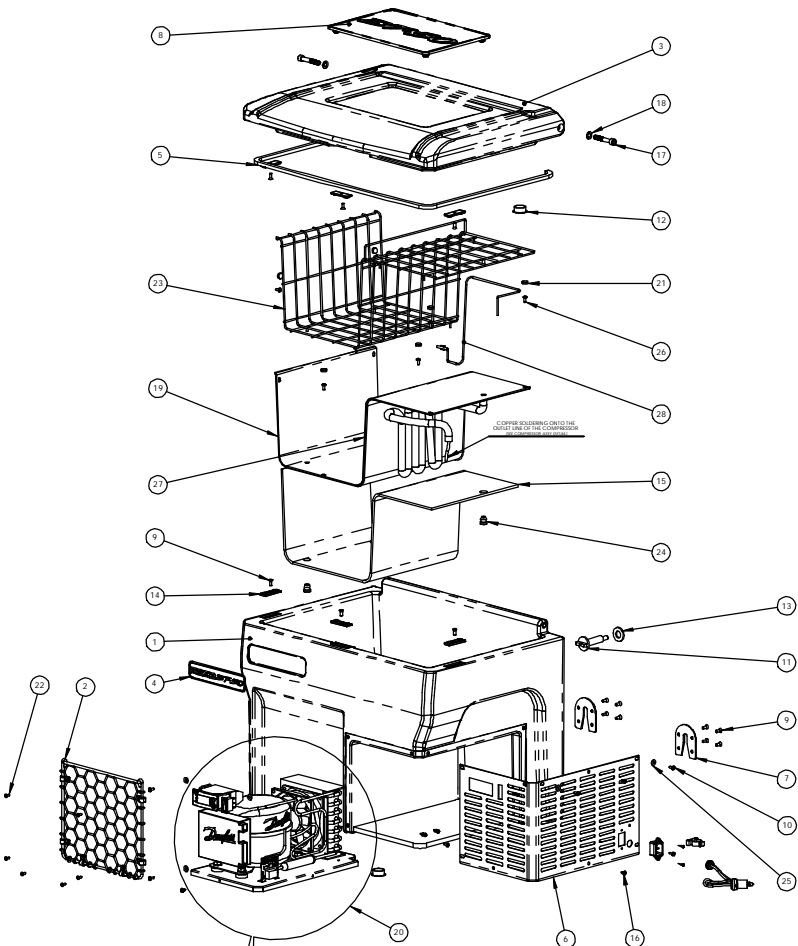


ITEM NO.	Description	Kaymac Part No.	Ford Part No.	QTY.	Torque
1	Mazda Utility Refrigerated Box Moulding	CMO301-1	Not Serviced	1	-
2	Net	CMO301AC-8	7M39-461A40-AA	1	-
3	Mazda Utility Refrigerated Lid Moulding	CMO301-4		1	-
4	Mazda BT-50 Decal	CMO301AC-5	7M39-19M516-AA	1	-
5	Neo 25 seal	CMO301AC-7	7M39-286E12-AA	1	-
6	Compressor Steel Grill	CMO301AC-1	Not Serviced	1	-
7	Box mounting bracket	CMO301AC-11	4M34-461S44-AA	2	-
8	BT- 50 Rubber Mat	CMO301AC-3	7M39-461A20-AA	1	-
9	M5 x 11 CSK Screw (Black Japan)	CMO301ASSY-1 (Item No. 9)	Not Serviced	14	1.5 Nm
10	M4 x 8 Pan Head Screw (Black Japan)	CMO301ASSY-1 (Item No. 10)	Not Serviced	10	1 Nm
11	Mazda Thumb Bolt	CMO301AC-9	7M39-461A42-AA	1	-
12	25mm Dome Plug	CMO301ASSY-1 (Item No. 12)	Not Serviced	2	-
13	neoprene Washer (for thumb bolt)	CMO301AC-9	7M39-3993-AA	1	-
14	Magnet	CMO301AC-12	7M39-1503-AA	6	-
15	Cold Plate Foam (Neo 25)	CMO301AC-7	Not Serviced	1	-
16	M4x 10 Self Tapping Steel Screw (Stainless Steel- Plated Black)	CMO301ASSY-1 (Item No. 16)	Not Serviced	3	1 Nm
17	M8 x 50 SS Hex socket cap screw	CMO301AC-10	4M34-461A32-AA	2	2 Nm
18	M8 SS Hinge Pin Washer	CMO301AC-10	Not Serviced	2	-
19	Cold Plate	CMO301AC-6	Not Serviced	1	-
20	Compressor Assy	CMO301ASSY-1 (Item No.20)	Not Serviced	1	-
21	M4 Plastic Domed screw Cover	CMO301ASSY-1 (Item No. 21)	Not Serviced	6	-
22	M3 x 25 PT Screw (Black Japan)	CMO301ASSY-1 (Item No. 22)	Not Serviced	6	-
23	Cold Plate Basket	CMO301AC-4	Not Serviced	1	-
24	Cold Plate Locating Grommet	CMO301ASSY-1 (Item No. 24)	Not Serviced	3	-
25	M4 x12 Washer (Black e coated)	CMO301ASSY-1 (Item No. 25)	Not Serviced	5	-
26	M4 x10 SS Pan Head Screw	CMO301ASSY-1 (Item No. 26)	Not Serviced	6	1 Nm
27	Black Silicone Seal	CMO301ASSY-1 (Item No.27)	Not Serviced	-	-
28	Thermostat	CMO301ASSY-1 (Item No.28)	Not Serviced	-	-



OVERALL ASSEMBLY SIZES



ITEM NUMBER 20						
ITEM NO.	Description	QTY.	Kaymac Part No.	Fastening Method	Notes	
1	Compressor	1	CMO301ASSY-1 (Item No. 20)	4 Bolt x 12 Pop Rivets	2	Storage
2	Net	1	CMO301AC-8	1 x 4.5mm Self Tapping Screws	4	Storage
3	Compressor Steel Grill	1	CMO301AC-1	M4 x 20mm Bolt, Washer & Nut	4	Storage
4	Box Mounting Bracket	2	CMO301AC-11	4mm Self Tapping Screws (Hanger Head)	12	20mm
5	BT-50 Rubber Mat	1	CMO301AC-3	M4 x 15mm Pan Head Screw Washer and Nut	2	100mm
6	Cold Plate	1	CMO301AC-6	M4 x 8mm Head screws (Black Japan)	4	Storage
7	Heat Exchanger	1	CMO301ASSY-1 (Item No. 20)	Copper Rivets	4	Storage
8	25mm Dome Plug	2	CMO301ASSY-1 (Item No. 12)	Clutch	2	Storage
9	Compressor Digital Controller	1	CMO301ASSY-1 (Item No. 20)	Clutch Plastic Caps	2	Storage
10	Magnet	6	CMO301AC-12	Clutch Rivets	2	Storage
11	Cold Plate Foam	1	CMO301AC-7	M4 x 10mm SS self tapping screw	2	100mm
12	Cold Plate Basket	1	CMO301AC-4	M4 x 12mm Head screw and Nut	5	Storage
13	M4 x10 SS Pan Head Screw	6	CMO301ASSY-1 (Item No. 26)	RESERVE	See drawing for fastener details	Storage
14	Black Silicone Seal	1	CMO301ASSY-1 (Item No. 27)	RESERVE	See drawing for fastener details	Storage
15	Thermostat	1	CMO301ASSY-1 (Item No. 28)	RESERVE	See drawing for fastener details	Storage

Level	Description	Zone	By	Date
O	Initial Release	None	DJJ	02.07.07
A	Drawing Updated After DVP	ALL	DJJ	10.03.08
B	ITEM 17 Color change (changed from 19 to 21)	ALL	DJJ	03.09.08
	ITEM 20 pipe configuration illustration updated			
	ITEM 18 updated to black color			
	ITEM M Added			
	ITEM M Fastening method updated			
	ITEM E Washer added to fastening method			
	ITEM C fastening method updated			

C Danfoss Compressor Specifications

BD35F
Direct Current Compressor R134a
12-24V DC & 100-240V AC 50/60Hz

General
Nominal Voltage: 12-24V DC & 100-240V AC 50/60Hz, 100W
Nominal Frequency: 50/60Hz
Approximate Dimensions: 110x110x110mm
Weight: 1.5kg

Applications
Operating Temperature: -30 to 105°C
Ambient Temperature: 15 to 30°C

Design
Nominal Capacity: 0.35m³/h
Refrigerant: R134a
Gas Loading: 430g

Fasten
Screw Torque: 15 to 20 NPM PSI
Gas Temperature: -20°C

Operation and Temperature
Each box will be tested with the compressor running to the specified set point temperature.
(See Drawing CMO301-4 for temp.)

Leak Test
Wash on compressor, condenser, heat exchanger
in cold state, will be tested for the operator for gas leaks with a soapy solution and a visual inspection.

I Danfoss Controller Specifications

Controller for temperature control
EKC 201

Temp Range
Set Point: -15°C to 4°C (FIXED)
Max Temp: +4°C (FIXED)

Production Set Point Temperature
Standard Set Point Temp: +2°C (VARIABLE)

Weight: 150g

Temp Display (°C)
LED, three digits
0.1°C read-off accuracy in measuring range

Electrical connection cable
1.2 meter, red-black-cable

Power consumption
2.2 VA

L Hella 12v Male connection

- Hella Male connector is to fit into 12v female plug (Ford part No. 3M3SD-19N236-AA)
- Wiring harness of the wiring boom at a fixed point in the vehicle.
- Plug 3M3SD-19N236-AA is to have the negative terminal properly grounded to vehicle chassis. And to have 1x 10 A fuse on the positive line.

E UVLO Controller Spec (Under Voltage Lock Out)

1. MODEL: FCOM
2. REVISION: F001
3. SPECIFICATION

Specifications
Nominal Voltage: 12.0V ± 0.1V
Return ON voltage: 12.0V ± 0.1V
Sense OFF voltage: 12.0V ± 0.1V
Turbo mode ON voltage: 12.0V ± 0.1V
Turbo mode OFF (Initial ON): 12.0V ± 0.1V
Maximum output current: 1.0A
Current consumption in ON state: 1.0mA maximum
Current consumption in OFF state: 2.0mA maximum
Control: Manual reset
Voltage (±12V)

+12V input: Red 250mm 1.5mm2 wire with 6.3mm female terminal (connected to power source)

+12V output: Red 250mm 1.5mm2 wire with 6.3mm female terminals (connection to Danfoss controller)

Ground connection: Black 250mm 1.5mm 2 wire with suitable terminal

Turbo/Normal connections: Black & Red 250mm 0.5mm 2 wire with 6.3mm female terminals

Reverse polarity protection: Yes

Environmental protection: The circuit board assembly will dip-coated with Staining 009-0008 varnish.

Mounting method: The circuit board assembly will have at Least two 3.5mm diameter mounting holes.

Operating temperature: +20°C to +70°C
: -20°C to +80°C with reduced performance

Dimensions (approximate): 48mm x 48mm x 25mm

FOR ALL MATERIAL & COATING SPECIFICATIONS ON ACCESSORIES, PLEASE REFER TO THE SPECIFIC ACCESSORY DRAWING (ILLUSTRATED IN ABOVE TABLE)

Kaymac Structural Foam
This drawing and the copyright therein is the property of Kaymac Structural Foam. It must not be copied or disclosed to a third party without their written consent

Drawn	D.Joubert	Material	-
Date	02.07.07	Finish	No rough edges or burrs
Tolerance	±0.5%	Colour	Refer to Notes
Checked	C. Paul	Shot mass	N/A
Approved	-	Trim. mass	N/A
Dwg. Scale	1:2	Printed Scale	AO
Remarks	None		

Title: MAZDA Refrigerated & COOLER UTILITY BOX-
Description: MAZDA REFRIGERATED UTILITY BOX ASSY

Change Level: B Drawing No.: CMO301ASSY-1
Sheet 1 of 1