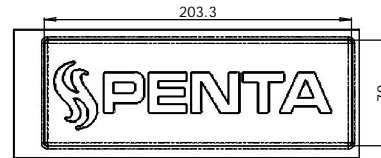
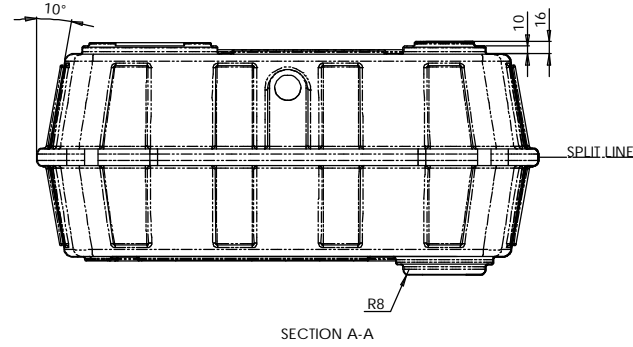
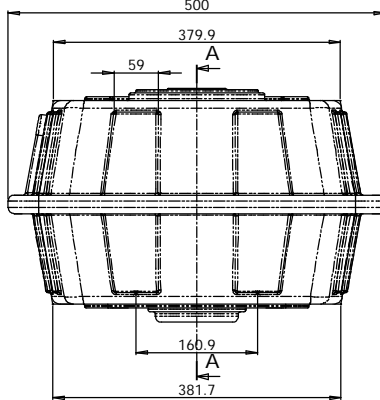
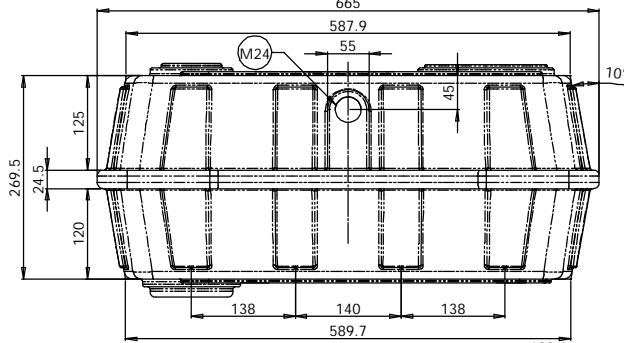


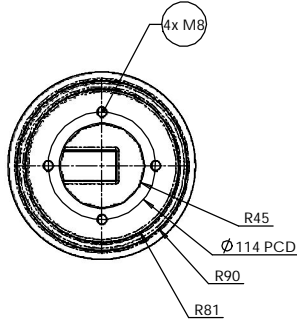
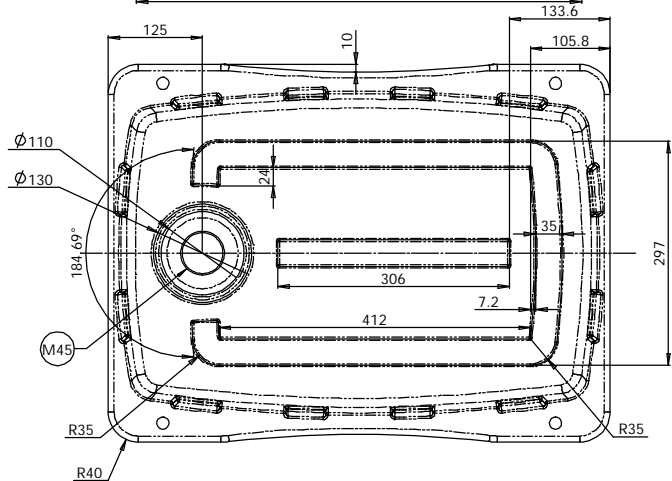
Dimetric Illustrations
Illustration The Machined Part Positioning



DETAIL C
SCALE 2 : 2.5



SECTION A-A



DETAIL B
SCALE 1 : 2

Level	Description	Zone	By	Date
O	Initial Release	A-1	ALJ	04.11.08

NOTES-

TANK MATERIAL-

Product identification
Trade name: LLDPE and LLDPE
Chemical name: Polyethylene
Alternative naming: PE-LD and PE-LLD
Alkatriene
Ethene polymer
Chemical formula: $-(CH_2 - CH_2) - n$
CAS N°: 9002-88-4
HSIDN / RTECS N°: T0325000
Emergency response guide: Not classified as hazardous
UN N°: Not classified as hazardous

Physical and chemical properties

Appearance: Touch: white, granules, pellets or powders
(Translucent in thick sections, highly transparent in thin films)
Odour: Odourless
Flash ignition temperature: 341°C
Self-ignition temperature: 380°C
Melting point: 110 - 120°C
Density: 0.91 - 0.94 g/cm³ @ 20°C
Softening Temp: @ 80°C
Tensile strength: 2.5 - 40 MPa
Solubility (Cold water): Insoluble
Solubility (Other): Benzene, Xylene (At elevated temperatures)

Kaymac Structural Foam

This drawing and the copyright therein is the property of Kaymac Structural Foam. It must not be copied or disclosed to a third party without their written consent

Drawn	D. Joubert	Material	MDPE
Date	04.11.08	Finish	No rough edges or burrs
Tolerance	± 1%	Colour	BLACK
Checked	C. Paul	Shot mass	N/A
Approved	-	Trim mass	N/A
Dwg. Scale	1:2.5	Printed Scale	AO
Remarks	None		

Title Description: **PENTA-60lt Hydraulic Oil Tank**

Change Level: 0 Drawing No.: **CM0232-2**
Sheet 1 of 1